

U

Onshore ram-type BOP

APPLICATIONS

- Onshore drilling
- Offshore drilling

BENEFITS

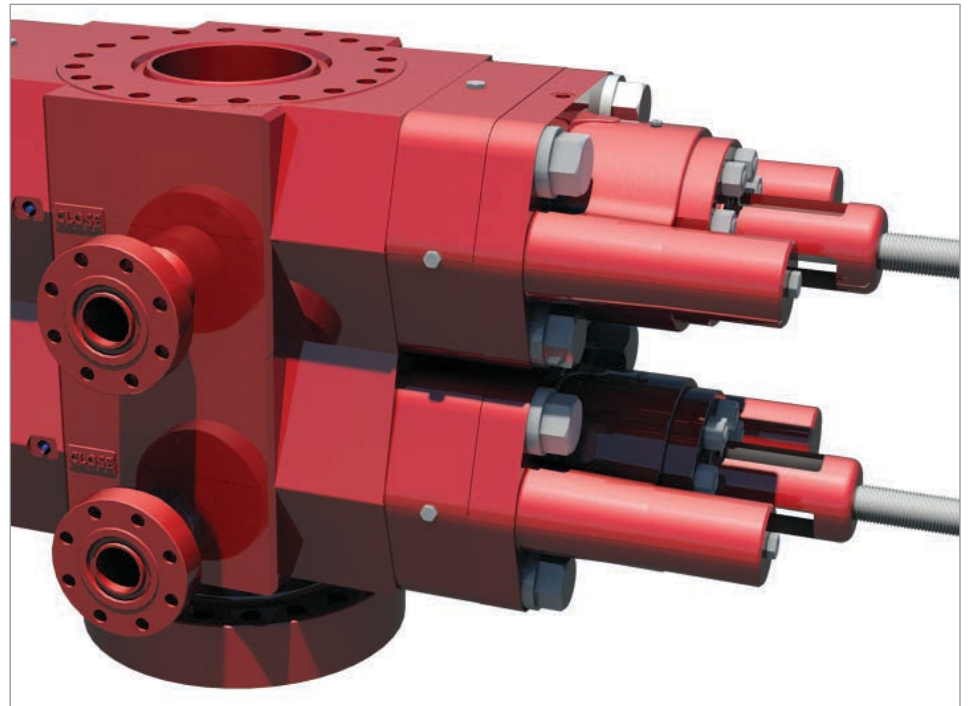
- Field-proven pressure control technology
- Wide range of sizes available

FEATURES

- Bonnet seal carrier is available to eliminate the need for high makeup torque on bonnet studs and nuts
- Manual or hydraulic operating systems available
- Internal reversible piston provides additional force necessary for shearing a wide variety of pipe and at the same time provides a reduced sealing force for long ram seal life
- Hydraulically operated locking mechanisms, wedgelocks, are available for subsea applications
- Most operating system seals can be replaced with the bonnet in the ram-change position without removing the bonnets
- Retrofit to UM* convertible bonnet is available to provide more shearing force without the need for shear bonnets, large bore bonnets, or tandem boosters

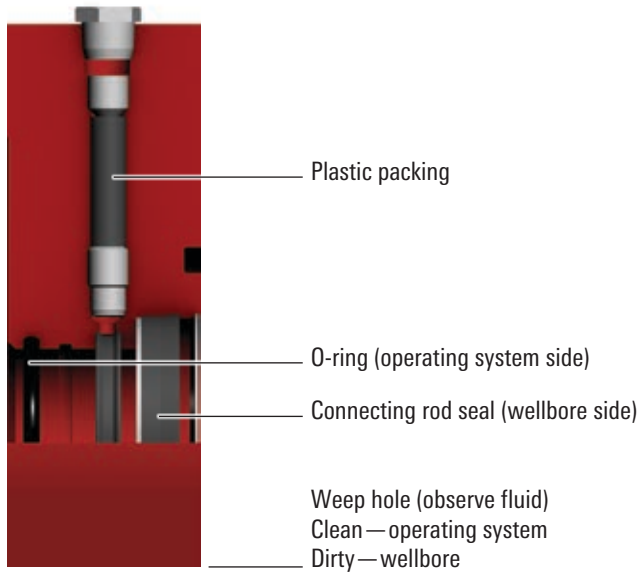
The Cameron U* BOP is the most widely used ram-type BOP for land, platform, and subsea applications worldwide and offers the widest range of sizes of any Cameron ram-type BOP. Like all other BOPs offered by Cameron, the rams in the U BOP are pressure-energized. Wellbore pressure acts on the rams to increase the sealing force and maintain the seal in case of hydraulic pressure loss. Seal integrity is improved by increased wellbore pressure.

- Available in sizes ranging from 7¹/₁₆ through 26³/₄ in with flange, hub, or studded top and bottom connections
- Durability and field-proven design
- Multiple bonnet configurations: standard pipe, shear bonnets, and tandem boosters
- Lifting plates are available to provide a safe method for moving the BOP
- Side outlets are available in flange, hub, or studded connections
- Minimum slippage of untreated crude through the electrostatic field

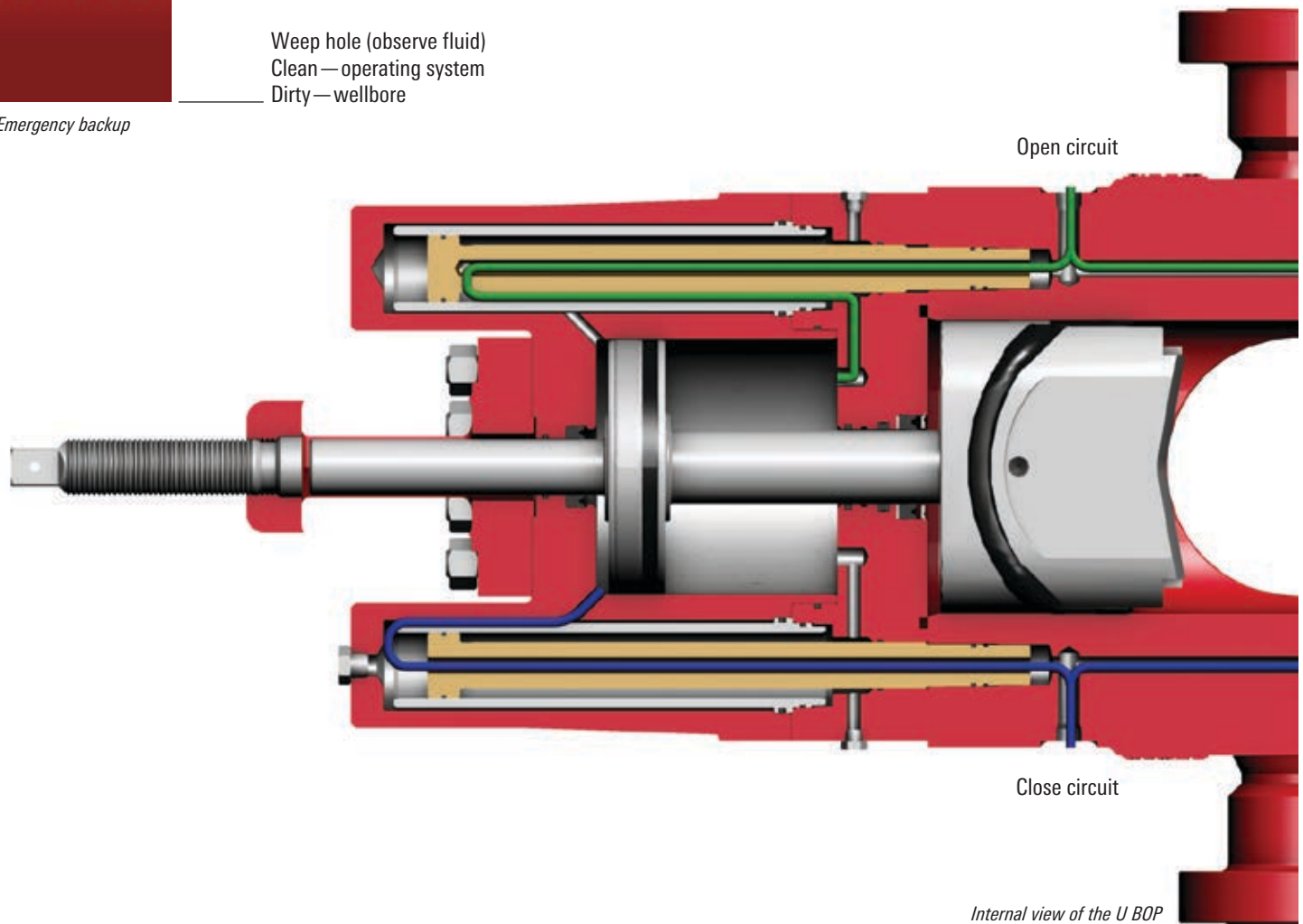


U BOP

U BOP



Emergency backup



cameron.slb.com/UBOP

*Mark of Schlumberger
Other company, product, and service names
are the properties of their respective owners.
Copyright © 2016 Schlumberger. All rights reserved. DRL-1005